

m.62 Apron

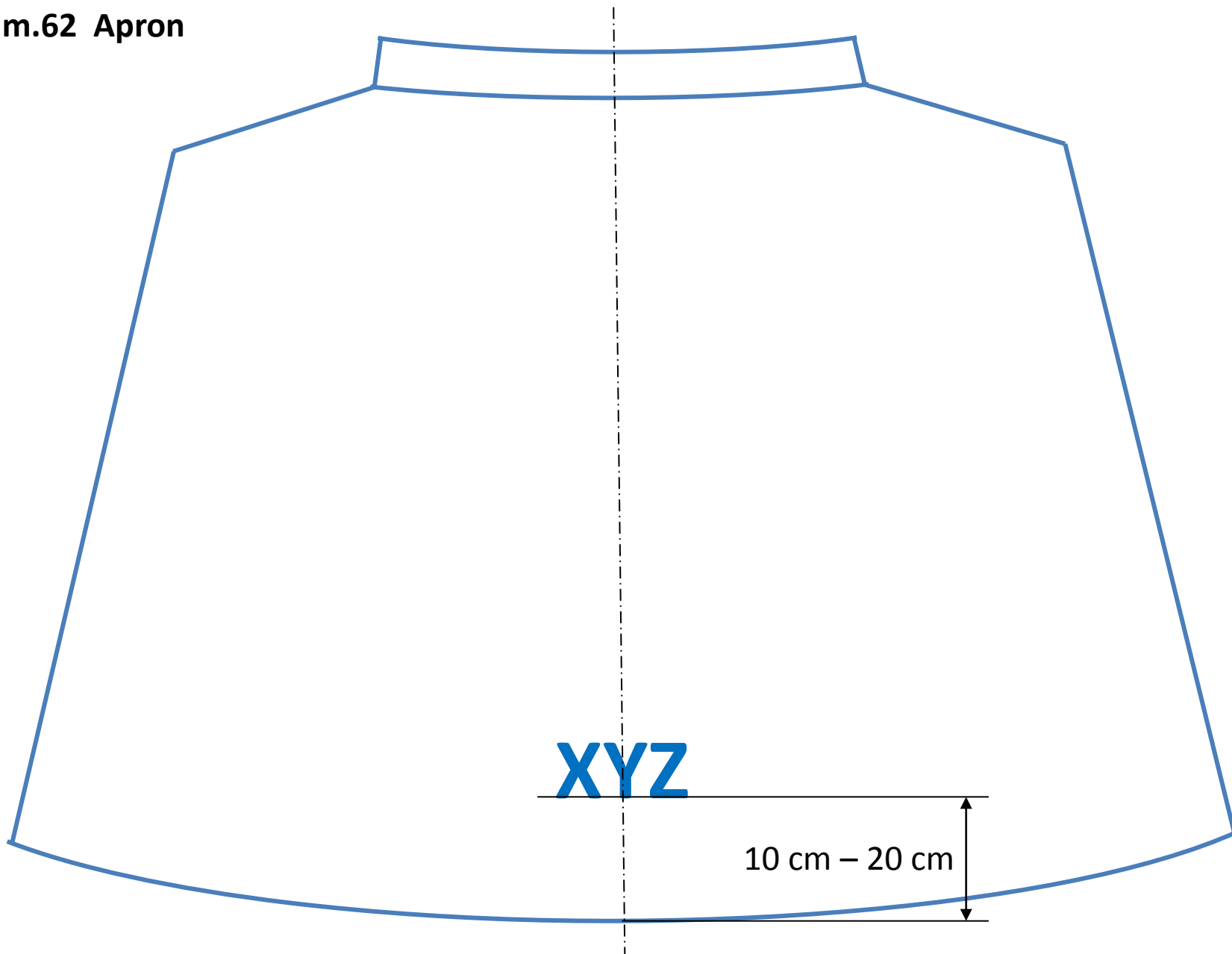


Figure: Dimensions for the position of the printing

m.62 Apron

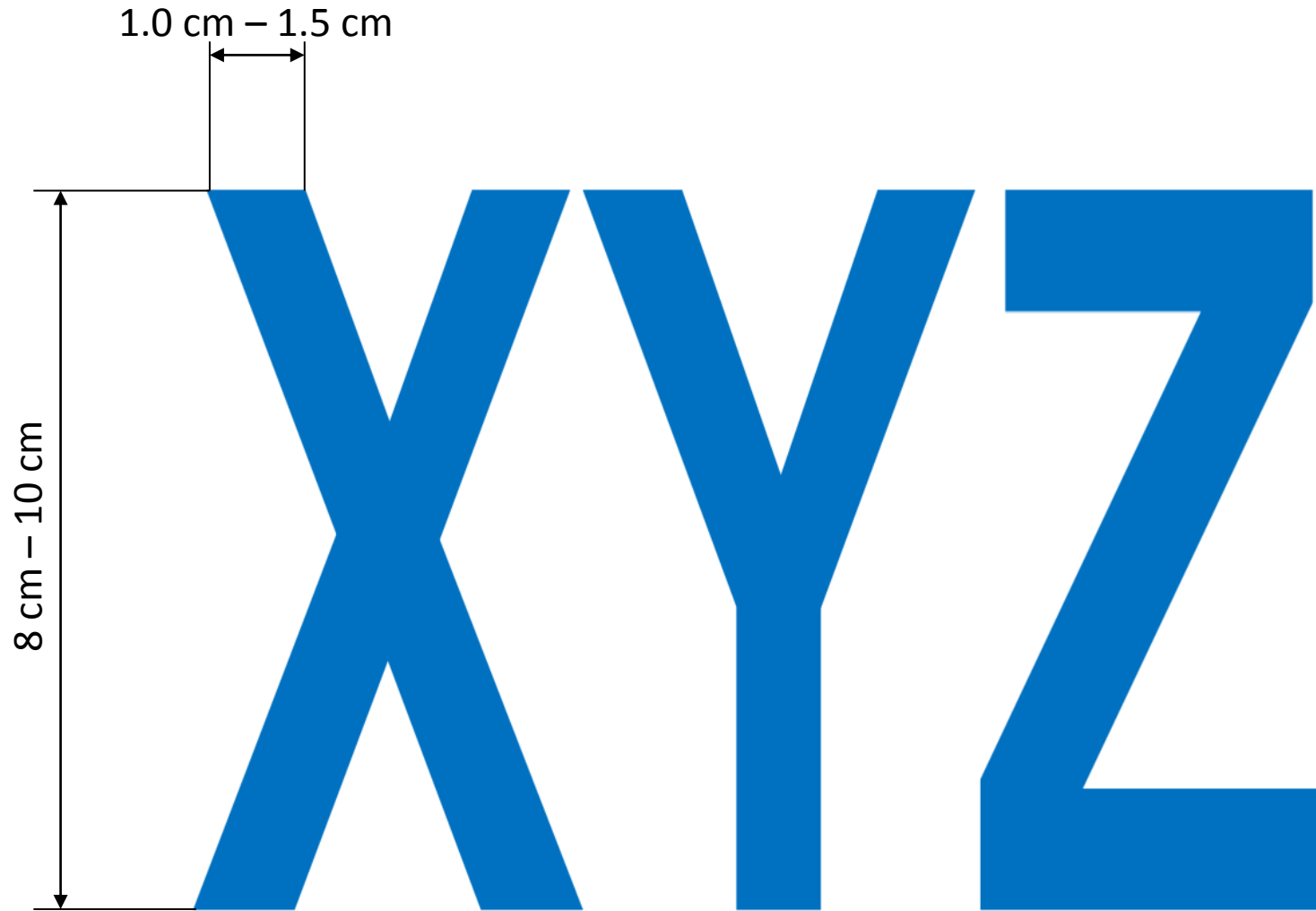


Figure: Dimensions for the printing of nationality